

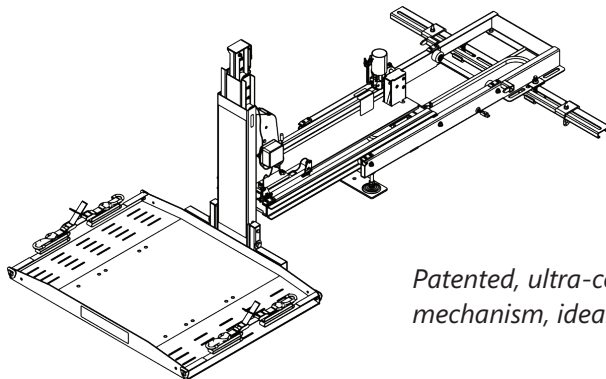
# Hybrid Platform Lift AL600



## Most Compact Hybrid Available!

- Ultra-compact, patented design fits more applications
- Accommodates virtually all scooters and power chairs
- Drive on/off platform
- No drilling required on most applications
- Connects to existing third row seat hardware, saves second row seating
- No scooter or chair modifications required
- Only 32" cargo headroom required; just 43" depth!
- Emergency manual override system
- Remote hand control (wireless option)

Specifications	AL600 Hybrid Platform Lift
Accommodates	Power Chairs & Scooters
Platform Size	28" x 38"; optional rear wheel cradle extends up to 50"
Lifting Capacity	350 lbs. (160 kg)
Installed Weight	179 lbs. (81 kg)
Securement	Manual Straps
Options	Self-tensioning straps, battery pack, wireless remote
Warranty	3-year transferable



*Patented, ultra-compact mechanism, ideal for SUV's*



800-833-0478 | [www.harmar.com](http://www.harmar.com)

MEMBER OF

